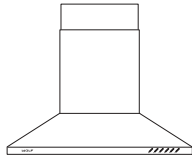
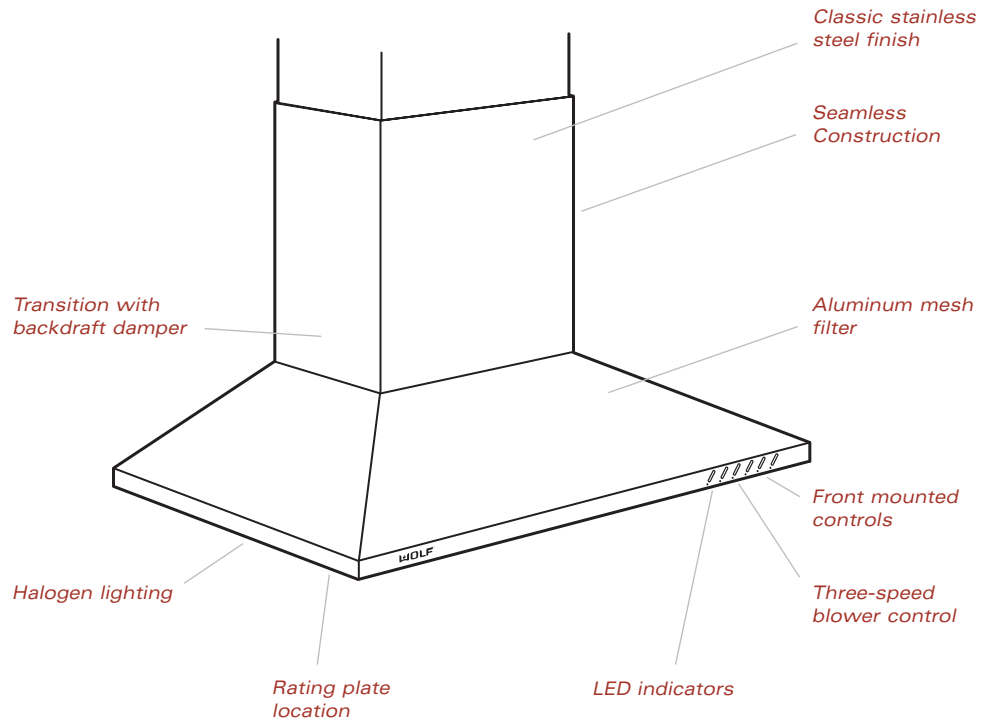


Model IH4227 Cooktop Island Hood



Model IH4227



► The Wolf cooktop island ventilation hood is available in the classic stainless steel finish. It is sold as a shell only, internal, in-line and remote blower options are available.

When your dream kitchen calls for a centralized cooking surface, the Wolf cooktop island hood is the ideal ventilation companion. The sculpted classic stainless steel shape not only provides the power you expect from Wolf, but also the beauty you have come to appreciate as well.

This ceiling mount cooktop hood is 42" (1067) wide by 27" (686) deep. It has a telescopic chimney flue that allows you to reach a ceiling height of 8' (2.4 m) to 9' (2.7 m) with a finished look. A flue extension to accommodate 10' (3 m) ceilings is available as a sales accessory.

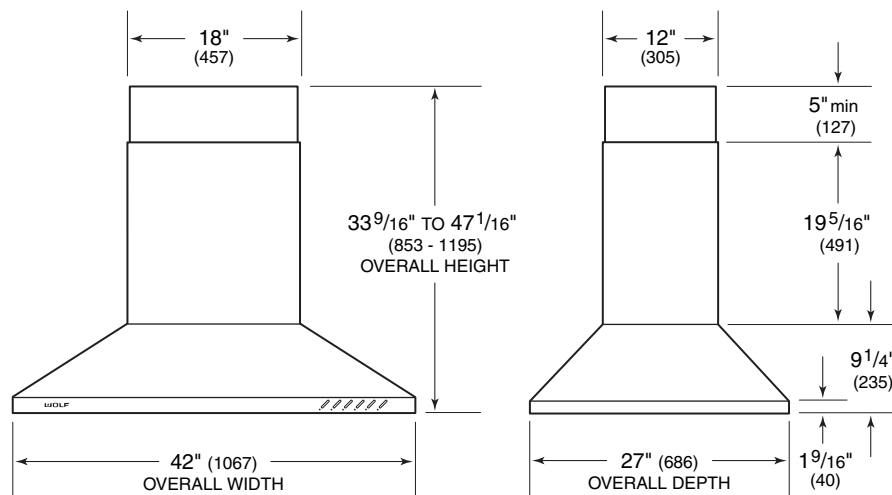
The Wolf cooktop island hood is recommended for use with Wolf electric and gas cooktops and integrated modules. For Wolf dual fuel ranges, gas ranges, sealed burner rangetops and gas rangetops, a Pro ventilation hood should be used.

Model IH4227 Cooktop Island Hood

FEATURES

- ▶ Classic stainless steel finish
- ▶ Internal, in-line and remote blower options
- ▶ Front mounted controls with LED indicator
- ▶ Heavy-duty stainless steel seamless construction
- ▶ Three-speed blower control
- ▶ Variable speed blowers
- ▶ Filter clean timer lets you know when the filter needs cleaning
- ▶ Delay-off mode automatically turns unit off
- ▶ Sealed halogen lighting with three settings
- ▶ Stainless steel filter cover with dishwasher safe aluminum mesh filter
- ▶ Heat sentry feature automatically turns unit on when heat is sensed and automatically adjusts blower speed
- ▶ Transition with backdraft damper included
- ▶ Fits 8' (2.4 m) to 9' (2.7 m) ceilings – flue extension to accommodate 10' (3 m) ceilings is available as a sales accessory
- ▶ UL listed to US and Canadian safety standards
- ▶ Two and five year residential warranty – exclusions apply; warranty information can be found on our website, wolfappliance.com

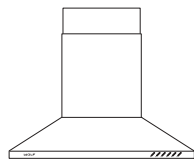
OVERALL DIMENSIONS ▼



Dimensions may vary by ±1/8" (3).

Dimensions in parentheses are in millimeters unless otherwise specified.

Model IH4227 Cooktop Island Hood



Model IH4227

BLOWER OPTIONS ▼

600 CFM Internal Blower	801644
900 CFM Internal Blower	801645
600 CFM In-Line Blower	808331
1100 CFM In-Line Blower	808332
600 CFM Remote Blower	801640
900 CFM Remote Blower	801641
1200 CFM Remote Blower	801642
1500 CFM Remote Blower	804701

Model IH4227 is sold as a shell only, an internal, in-line or remote blower will be required. Refer to Wolf Cooktop Ventilation Recommendations at the end of this section.

ACCESSORIES

- ▶ Flue extension to accommodate 10' (3 m) ceilings
- ▶ 8" (203) to 10" (254) round transition

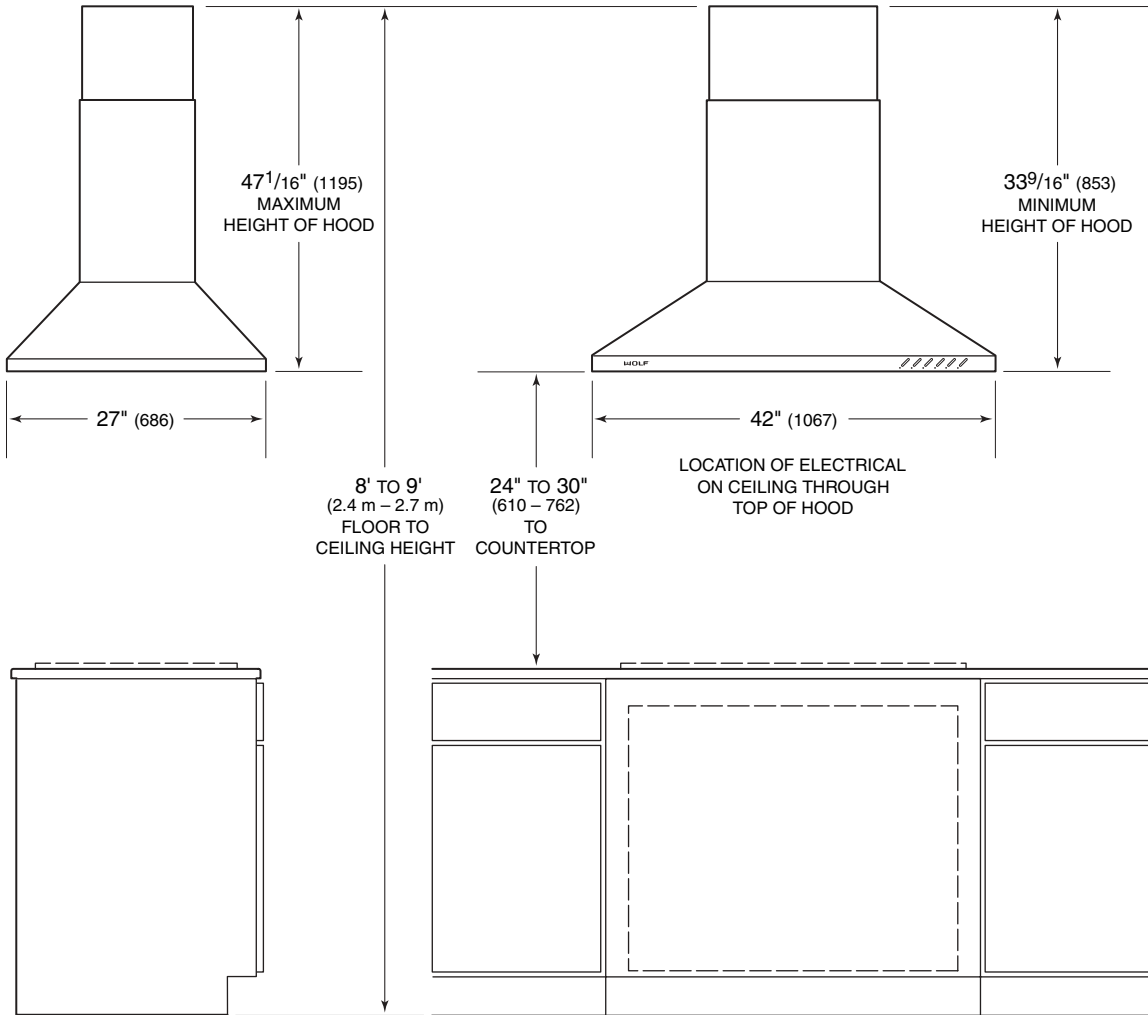
Accessories are available through your Wolf dealer. To obtain local dealer information, visit the Locator section of our website, wolfappliance.com.

SPECIFICATIONS ▼

Overall Width	42" (1067)
Overall Height (excluding chimney)	9 1/4" (235)
Overall Height (including chimney)	33 9/16" (853)
Maximum Height (full extension)	47 1/16" (1195)
Overall Depth	27" (686)
Transition	8" (203) to 10" (254) round
Duct Size	8" (203) round
Discharge	Vertical
Electrical Supply Requirements	110/120 V AC, 60 Hz 15 amp dedicated circuit
Shipping Weight	110 lbs (50 kg)

Specifications are subject to change without notice.

Model IH4227 Cooktop Island Hood



*8' (2.4 m) ceilings will not allow for a 30" (762) maximum height above the countertop. Based on a 36" (914) high countertop, an 8' (2.4 m) ceiling will allow for a maximum height above the countertop of 26⁷/₁₆" (672).

DIMENSIONS

Overall Width of Hood	42" (1067)
Floor to Ceiling Height	8' (2.4 m) to 9' (2.7 m)
Countertop to Bottom of Hood	24" (610) to 30" (762)
Minimum Height of Hood (fully collapsed)	33 ⁹ / ₁₆ " (853)
Maximum Height of Hood (full extension)	47 ¹ / ₁₆ " (1195)
Location of Electrical	Through top of hood

See Installation Instructions shipped with unit for detailed specifications.

Model IH4227 Cooktop Island Hood

INSTALLATION NOTES

▶ Refer to the illustrations and specifications for overall dimensions and installation specifics.

▶ The Wolf cooktop island hood is recommended for use with Wolf electric and gas cooktops and integrated modules. The hood should be at least as wide as the cooking surface.

IMPORTANT NOTE: Wolf Pro ventilation hoods should be used with Wolf dual fuel ranges, gas ranges, sealed burner rangetops and gas range-tops.

▶ The Wolf cooktop island hood comes with a telescopic chimney flue extension that allows you to reach a ceiling height of 8' (2.4 m) to 9' (2.7 m) with a finished look. A flue extension to accommodate 10' (3 m) ceilings is available as a sales accessory.

▶ Installation of the cooktop island hood should be 30" (762) to 36" (914) from the bottom of the hood to the countertop. Follow the dimensions shown in the Installation illustration.

IMPORTANT NOTE: 8' (2.4 m) ceilings will not allow for a 30" (762) maximum height above the countertop. Based on a 36" (914) high countertop, an 8' (2.4 m) ceiling will allow for a maximum height above the countertop of 26⁷/₁₆" (672).

▶ The Wolf cooktop island hood is shipped without a blower assembly. Internal, in-line and remote blower assemblies are available. Blower options also vary with the volume of air that needs to be moved and the length of the duct run. Refer to the charts at the end of this section for ventilation recommendations and blower options.

IMPORTANT NOTE: Install this ventilation hood only with a Wolf blower.

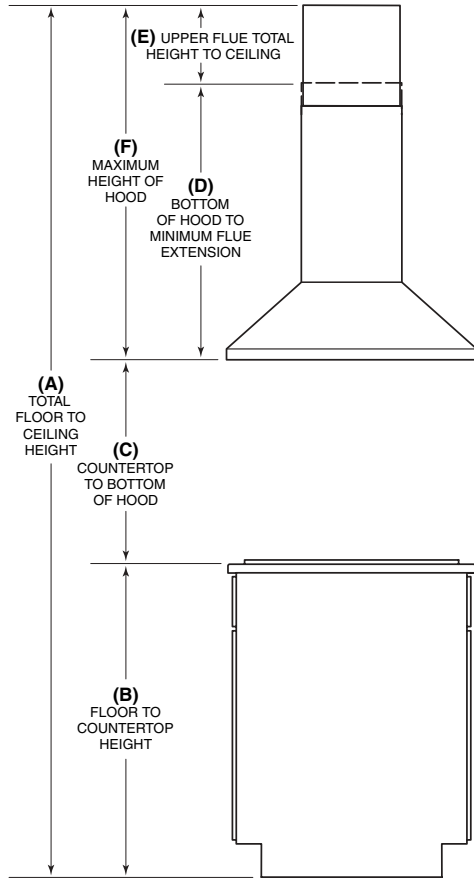
▶ The Wolf cooktop island hood requires a separate, grounded 110/120 V AC, 60 Hz power supply. The service should have its own 15 amp circuit breaker. Placement of the outlet is not critical, as long as you provide a minimum of 12" (305) of 120 V AC, 60 Hz power cable. Locate electrical supply on the ceiling through the top of the hood.

▶ You must follow all National Electrical Code regulations. In addition, be aware of local codes and ordinances when installing your service.

▶ The Wolf cooktop island hood has an 8" (203) round vertical discharge.

▶ Refer to the installation instructions shipped with each Wolf product for detailed specifications. This information can also be found on our website, wolfappliance.com.

Model IH4227 Cooktop Island Hood



COOKTOP HOOD PLACEMENT

The Wolf cooktop island ventilation hood comes with a telescopic chimney flue that allows you to reach a ceiling height of 8' (2.4 m) to 9' (2.7 m) with a finished look. A flue extension to accommodate 10' (3 m) ceilings is available as a sales accessory.

Installation of the island hood should be 24" (610) to 30" (762) from the bottom of the hood to the countertop.

IMPORTANT NOTE: 8' (2.4 m) ceilings will not allow for a 30" (762) maximum height above the countertop. Based on a 36" (914) high countertop, an 8' (2.4 m) ceiling will allow for a maximum height above the countertop of 26⁷/₁₆" (672).

IMPORTANT NOTE: Both sections of the telescopic chimney flue must be installed in order for the chimney to be lifted for service.

To determine placement of the cooktop island hood, you must calculate the height of the telescopic chimney flue. Refer to the illustration and chart below.

To calculate the height of the telescopic chimney flue:

- 1) First measure **A** (total kitchen height from finished floor to finished ceiling height).
- 2) Next measure **B** (height from finished floor to countertop).
- 3) Then determine the minimum **C** value (distance from countertop to bottom of hood). Refer to the chart for ceiling heights from 8' (2.4 m) to 9' (2.7 m). Dimension **C** must be greater than 24" (610) and less than 30" (762).
- 4) To determine the upper flue section height:
E=A-(C+B+D).

IMPORTANT NOTE: If dimension **E** falls between 0" (0) and 1/2" (13), you will need to modify the flue to affix to the flue attachment brackets. For ease of installation, Wolf recommends that dimension **E** be no less than 1/2" (13).

MODEL IH4227

(A)	(B)	(C)	(D)	(E)	(F)
96" (2438)	36" (914)	24" (610) min	33 ⁹ / ₁₆ " (853)	2 ⁷ / ₁₆ " (62)	47 ¹ / ₁₆ " (1195)
96" (2438)	36" (914)	26 ⁷ / ₁₆ " (672) max	33 ⁹ / ₁₆ " (853)	0"	47 ¹ / ₁₆ " (1195)
108" (2743)	36" (914)	24" (610) min	33 ⁹ / ₁₆ " (853)	14 ⁷ / ₁₆ " (367)	47 ¹ / ₁₆ " (1195)
108" (2743)	36" (914)	30" (762) max	33 ⁹ / ₁₆ " (853)	8 ⁷ / ₁₆ " (214)	47 ¹ / ₁₆ " (1195)

Letters correspond to those in the illustration.

Model IH4227 Cooktop Island Hood

DUCTING CONSIDERATIONS

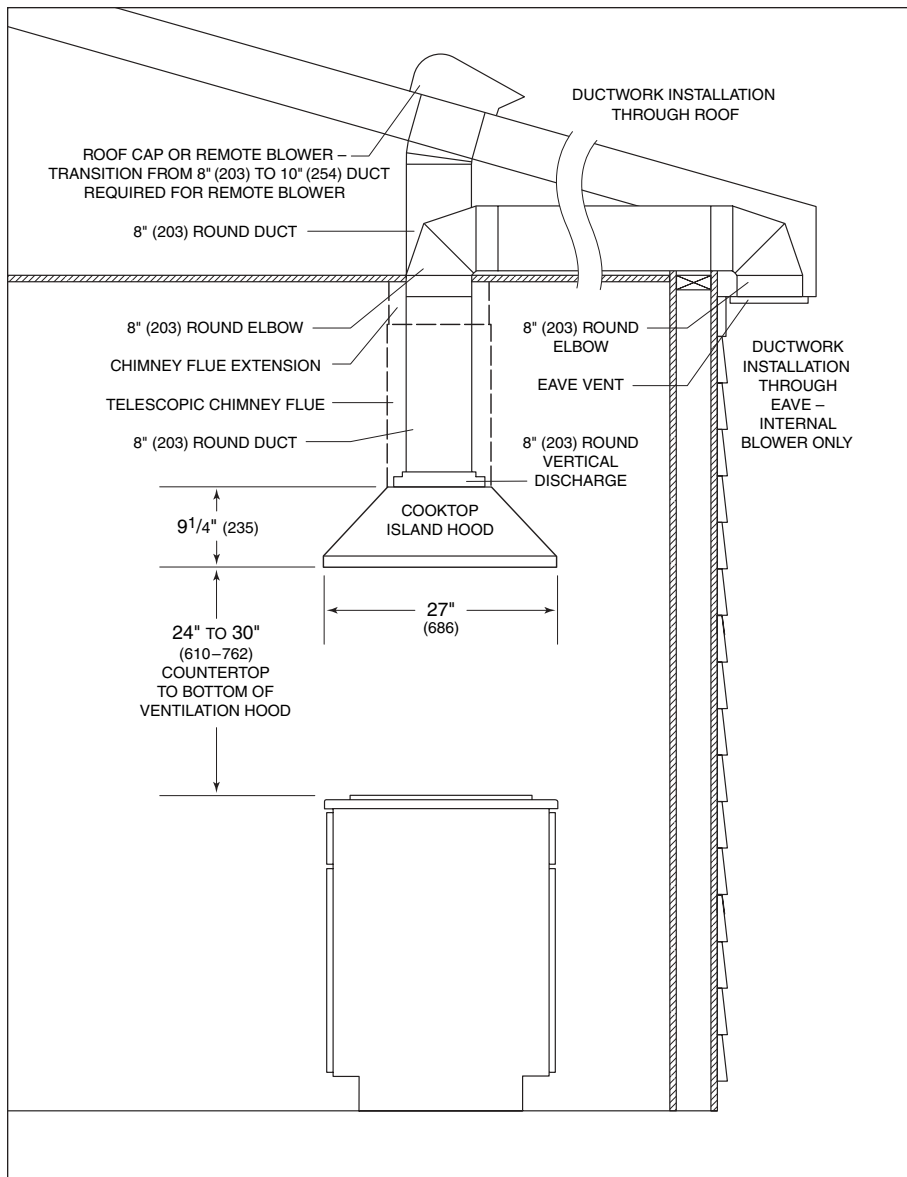
The Wolf cooktop island hood is shipped without the blower assembly. Internal, in-line or remote blower assemblies are available. The remote blower will be mounted on the roof.

The cooktop island hood has an 8" (203) round vertical discharge. The ventilation hood will operate most efficiently when ductwork does not exceed 40' (12 m) in length. Ducting can run through the roof or through an eave as shown in the illustration below.

IMPORTANT NOTE: All Wolf ventilation hoods must be vented to the outside. Use only metal ductwork.

Local building codes may require the use of make-up air. Consult your local HVAC professional for specific requirements in your area.

IMPORTANT NOTE: Install this ventilation hood only with a Wolf blower.



Ducting considerations for the Model IH4227 cooktop island hood.

Wolf Ventilation Recommendations

WOLF BLOWER ASSEMBLIES

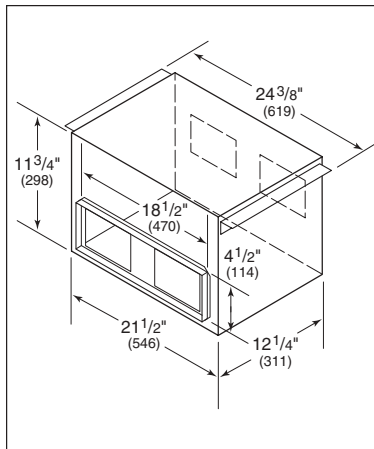
A ventilation system must include a blower assembly. With a few exceptions where internal blowers are included, Wolf ventilation hoods and downdrafts are shipped without the blower assembly. An internal, in-line or remote blower assembly must be selected to accommodate the cooking appliance, CFM requirements and homeowner preferences. Internal, in-line and remote blower assemblies are available as sales accessories through your Wolf dealer.

Wolf internal, in-line and remote blowers are for use with Wolf cooktop hoods, downdraft systems and Pro ventilation hoods and hood liners.

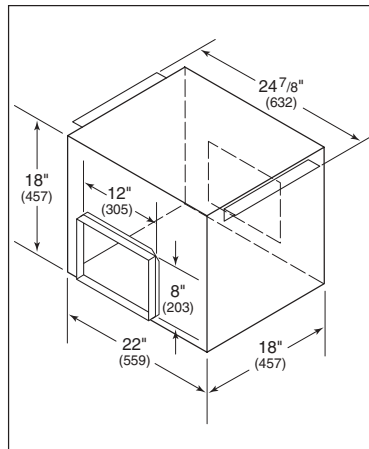
IMPORTANT NOTE: Use only a Wolf blower with all Wolf ventilation products.

Internal blowers are mounted inside the hood canopy or downdraft blower box. In-line blowers are mounted in between the hood and the exterior of the home. Remote blowers can be mounted on the roof or in some cases, on an exterior wall. Refer to the illustrations below for dimensions of Wolf in-line and remote blowers.

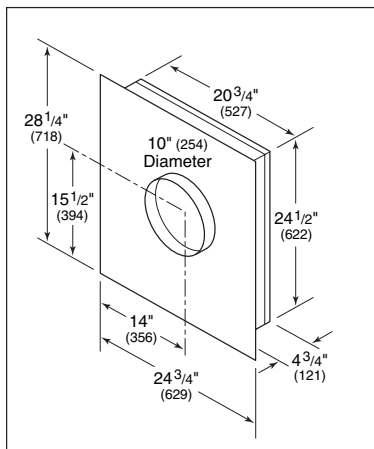
Ventilation recommendation charts on the following pages provide minimum CFM recommendations according to the cooking appliance and ventilation system used and blower options for each specific ventilation hood or downdraft.



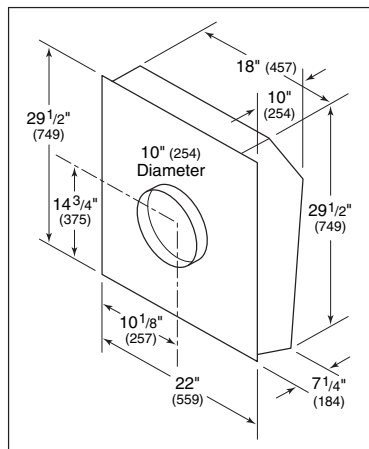
► In-line BLOWER-60IL



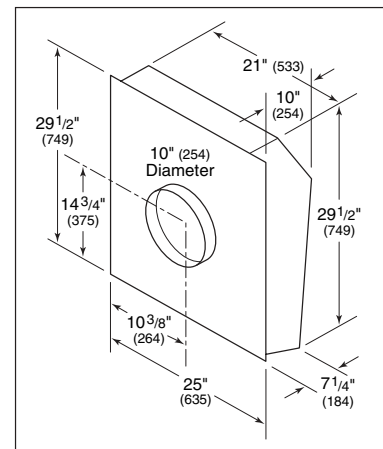
► In-line BLOWER-110IL



► Remote BLOWER-60REM and BLOWER-90REM



► Remote BLOWER-120REM



► Remote BLOWER-150REM

Dimensions may vary by $\pm 1/8$ " (3).

Dimensions in parentheses are in millimeters unless otherwise specified.

Wolf Cooktop Ventilation Recommendations

COOKTOP VENTILATION CFM RECOMMENDATIONS

Cooktop Hoods, Downdrafts and Pro Hoods

	CTWH30	CTWH36	IH4227	DD30	DD36	DD45	Pro Hoods
Electric Cooktops							
Model CT15E	215*	215*	215*	215*		150*	215*
Model CT30E	450	600	600	500		350	600
Model CT30EU	450	600	600				600
Model CT36E		600	600		500		600
Model CT36EU		600	600				600

	CTWH30	CTWH36	IH4227	DD30	DD36	DD45	Pro Hoods
Gas Cooktops							
Model CT15G	215*	215*	215*	215*		150*	215*
Model CT30G	450	600	600	500		350	600
Model CT36G		600	600		500		600

	CTWH30	CTWH36	IH4227	DD30	DD36	DD45	Pro Hoods
Modules							
Model CT15I	215*	215*	215*	215*		150*	215*
Model IG15	215*	215*	215*				215*
Model IS15	215*	215*	215*				215*
Model IF15	215*	215*	215*				215*
Model IM15	215*	215*	215*	215*		150*	215*

*Use these requirements to determine total CFM when installing multiple cooktops or modules.

CFM recommendations are based on total Btu/hr output. Wolf recommends 1 CFM per 100 Btu/hr (.03 kW). Additional CFM may be required for long duct runs.

COOKTOP VENTILATION BLOWER OPTIONS

Cooktop Ventilation Hoods

Blower Description	Blower Number	Cooktop Hood Models
450 CFM Internal	CTBLOWER-45INT (801643)	CTWH30
600 CFM Internal	CTBLOWER-60INT (801644)	CTWH36 / IH4227
900 CFM Internal	CTBLOWER-90INT (801645)	CTWH36 / IH4227
600 CFM In-Line	BLOWER-60IL (808331)	CTWH30 / CTWH36 / IH4227
1100 CFM In-Line	BLOWER-110IL (808332)	CTWH30 / CTWH36 / IH4227
600 CFM Remote	BLOWER-60REM (801640)	CTWH30 / CTWH36 / IH4227
900 CFM Remote	BLOWER-90REM (801641)	CTWH30 / CTWH36 / IH4227
1200 CFM Remote	BLOWER-120REM (801642)	CTWH30 / CTWH36 / IH4227
1500 CFM Remote	BLOWER-150REM (804701)	CTWH30 / CTWH36 / IH4227

Vertical discharge with 8" (203) round duct for wall and island hoods. Transition is not required for internal blowers; in-line and remote blowers require TRANS-8-10. Backdraft damper included with wall and island hoods.

Blower configurations are for reference only. Refer to minimum CFM recommendations for your specific cooking product. Always consult a qualified HVAC Engineer for specific applications.

Dimensions in parentheses are in millimeters unless otherwise specified.